

Flow2 Stairlift

FOR CURVED AND COMPLEX STAIRCASES



Access BDD are one of Europe's leading suppliers of stairlifts, platform lifts and home lift solutions.

Flow2 Stairlift

FOR CURVED AND COMPLEX STAIRCASES

The award-winning Flow2 stairlift can be truly considered one of the world's leading stairlifts. Unlike some stairlifts, the Flow2 is fitted onto your staircase and not your wall allowing the lift to be installed quickly, easily and with minimal disruption to your home.

Manufactured using the very latest technology, the Flow2 can be installed on nearly any type of staircase. The automatic swivel and levelling technology (ASL) allows the Flow2 to be fitted on staircases as narrow as 610mm. This feature, unique to the Flow2, enables your stairlift to turn while in motion, making it one of the most adaptable stairlifts in the world.



1 It's all about you

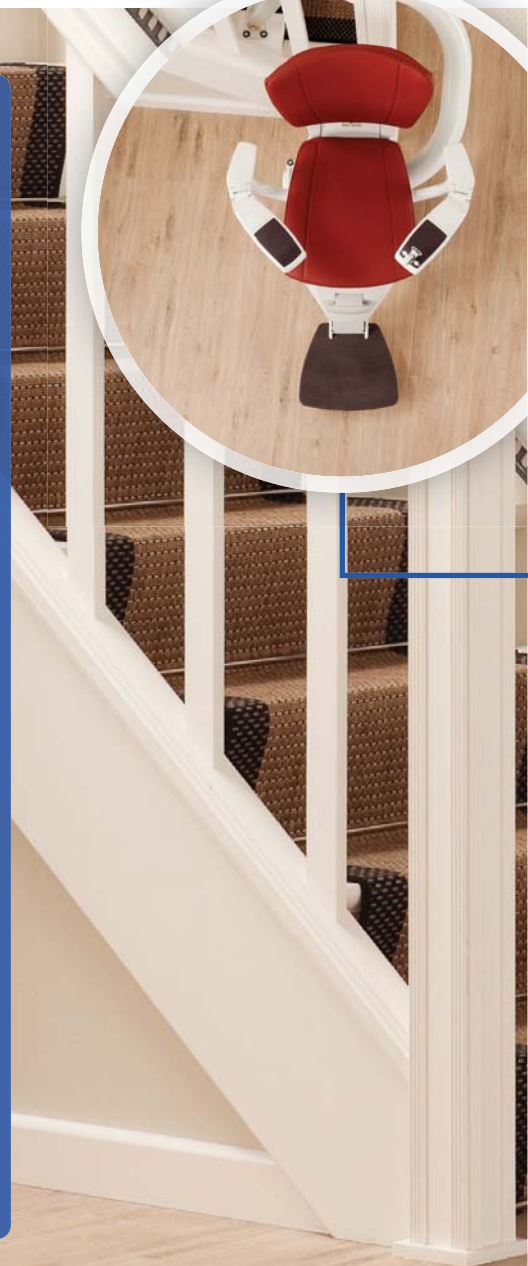
Designed with you in mind, the Flow2 has an ergonomically-shaped seat which provides you with an enjoyable and comfortable ride. The Flow2 is available in a number of finishes and colour options that allow you to match it to the style of your home. Choose from fabric, vinyl and leather seat covers and a range of different rail colours.

2 Compact and Discreet

When not in use the Flow2 is folded away to only 340mm on any landing, out of the way of other staircase users. The Flow2 has a single discreet rail that closely follows the line of your stairs and can be fitted on either side of your staircase.

3 Safety

Your safety is of paramount important to us. The Flow2 stairlift is certified to machine directive 2006/42/EG and BS EN 81-40. The seat is adjusted in height so you can get on and off safely at the top or bottom landing. During travel the seat belt and optional wrap-around armrests keep you secure on the stairlift. If the Flow2 encounters an obstacle during travel, it will safely come to a stop. The stairlift is battery operated, which means you can still use it during a power cut.





The Flow2 single rail stairlift is the market leader when it comes to curved stairlifts and is the smartest lift of its type.



I'm really pleased and very happy with the style of my Flow2 stairlift. I'm over moon that I don't have to walk up and down the stairs anymore, I'm over the moon with the whole thing."



1

3

2

ASL

ADVANCED SWIVEL AND LEVELING TECHNOLOGY

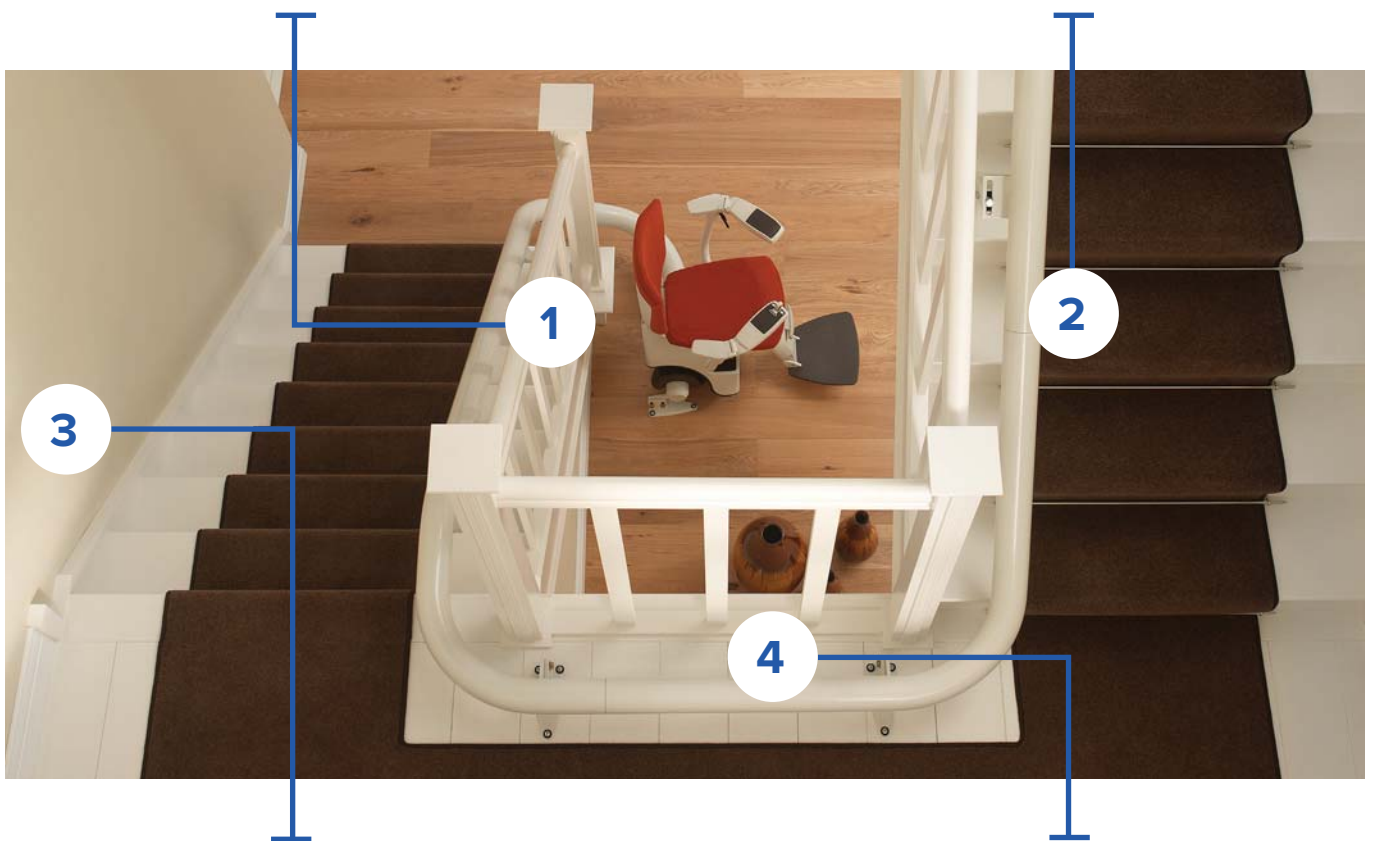
ASL technology enables the Flow2 stairlift to rotate and stay perfectly level while in motion. By rotating during travel, you're always in the safest and most comfortable position.

The seat is always in the correct position to get on and off safely

The Flow2 swivels as it travels, this means that getting on and off the lift at either end of the staircase is quick and easy. At the top of the staircase the seat can rotate away from the open staircase, allowing a safe exit from the seat.

Constantly working to save you time and provide safety and comfort

ASL Technology operates while the lift is moving. Therefore you avoid additional stops and swivel movements at the beginning, during and at the end of the ride. This saves time and provides additional safety and comfort. The lift really moves in one "Flow".



Internal or external rail on the narrowest and steepest stairs

Even in cases where the staircase is narrow and steep, the Flow2 can be installed closer to the step and on either side of the staircase. Your stairlift will be less obtrusive and your staircase remains accessible for other family members in your home.

Unique technology that can only be found with the Flow2

Your well-being is important to us – when you choose ASL technology the footrest swivels with the seat ensuring your legs and feet remain in a natural and comfortable position, relieving any additional strain on your joints.



ASL technology allows the rail to be kept as low as 62mm on a wide variety of staircase styles and configurations.



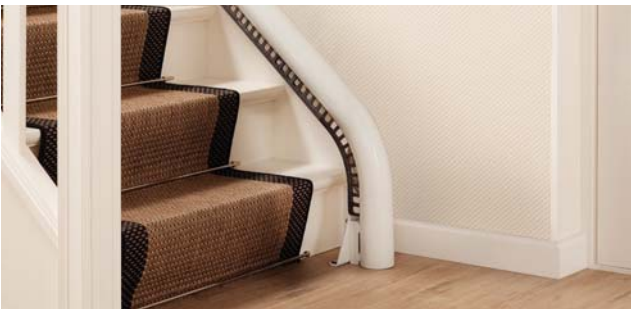
Options

IT'S ALL ABOUT YOU

When you choose the Flow2 stairlift, you ensure the best fit for your staircase. With a rail that is only 80mm in diameter, this stairlift can be custom-crafted to fit almost any staircase.

Rail

Standard Drop Nose



The standard drop nose is the perfect solution if there is an obstruction such as a door near to the bottom of the stairs. The drop nose requires just 175mm of space from the bottom step.

Vertical 'Short-Start' Drop Nose



Where space is even tighter at the bottom the 'short-start' drop nose can be installed, needing only 100mm of space from the bottom step.

Horizontal Overrun



Where you have extra space at the bottom of the stairs the horizontal overrun allows the chair to be parked away from the bottom step.

Parking Curve



A parking curve allows the chair to be parked neatly out of the way of the stairs.

Colour



Grey



White/Grey



Beige/Brown



Brown/Grey

Upholstery

Vinyl:



Red



Grey



Maroon



Sisal

Fabric:



Dark Brown

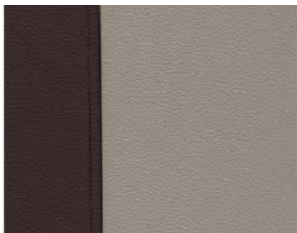


Beige



Red

Elegant Leather:



Aubergine-Beige



Beige-Grey



Brown-Beige



Brown-Cognac



Brown-Grey

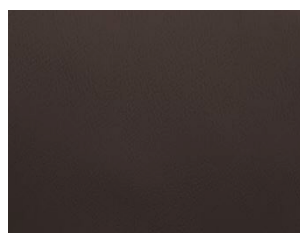


Red-Beige

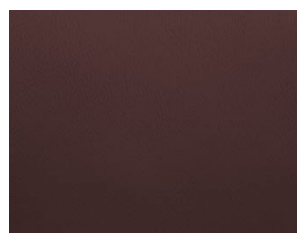
Deluxe Leather:



Beige



Dark Brown



Dark Red

Armrest

Straight



Curved



Joystick

Choice of two simple-to-use arm-mounted joysticks:

Joystick



Ergonomic Rocker Switch



Using a series of bespoke curves and 180° bends, the Flow2 rail can be installed on multiple floors up to a total rail length of 34m.



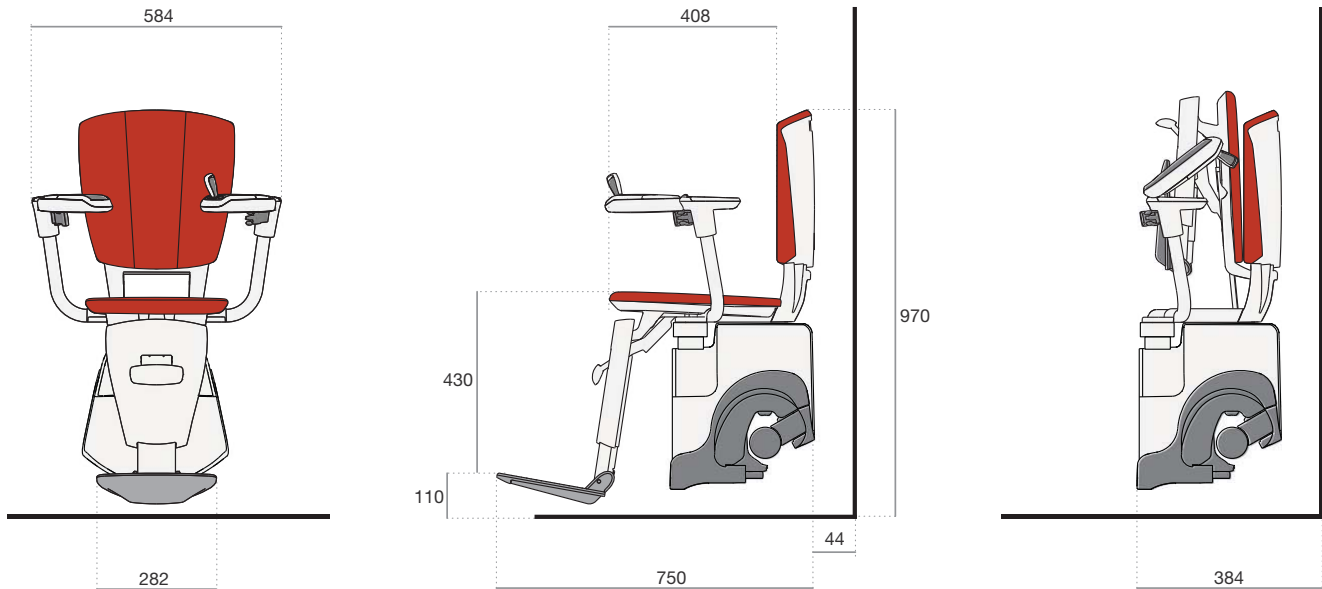


The Flow2 stairlift can be installed on staircases as narrow as 610mm and as steep as 70°.



Technical Specification

CERTIFIED TO THE HIGHEST STANDARDS



Specification

Speed:	Max 0.15m/s
Drive Type:	Rack and pinion
Motor Wattage:	350W – Drive Motor 350W – Horizontal Motor
Weight Capacity:	125kg
Batteries:	2 x 12V batteries; total 24V
Operation:	Joystick control as standard
Staircase Incline:	Up to 70°
Certification:	Machine Directive 2006/42/EG BS EN 81-40
Automatic Stop:	Yes
Footrest:	Yes
Retractable Safety Belt:	Yes

About Access BDD

30 YEARS OF EXPERIENCE

For over 30 years, Access BDD have specialised in making life easier for both private and public customers.

Manufacturer of stairlifts, inclined platform lifts, vertical platform lifts and home elevators, Access BDD believe that the ability to move around freely shouldn't be something that is taken for granted. Through our wealth of knowledge and experience we have become one of the world's leading suppliers of accessibility products.

Through our wide array of customisable options on all of our products you can rest assured your new lift will seamlessly fit into your home or building.

Our extensive engineering heritage means we precisely develop our products to be industry-leading whilst conforming to all relevant safety guidelines. We design our products to be installed quickly and with minimal of fuss.



The Flow2 stairlift is one of the most reliable products I've had the pleasure of working with."

When you choose an Access BDD product, you're choosing:

- Industry leading company with a wealth of experience
- Safety and reliability
- Technological innovation



For over 30 years we have specialised in making life easier for both private and public customers.



Your local dealer is:



Access BDD
Unit E3 Eagle Court
De Havilland Avenue
Preston Farm Business Park
Stockton-on-Tees
TS18 3TB
United Kingdom

Telephone
+44 1642 853 650

Email
info@accessbdd.com

www.accessbdd.com


access
business development division

HomeGlide Stairlift

FOR STRAIGHT STAIRCASES



Access BDD are one of Europe's leading suppliers of stairlifts, platform lifts and home lift solutions.

HomeGlide Stairlift

FOR STRAIGHT STAIRCASES

The HomeGlide stairlift range delivers a solution for all indoor straight staircase requirements and budgets. Unlike some stairlifts, the HomeGlide and HomeGlide Extra are fitted onto your staircase and not your wall. This allows the lift to be installed quickly, easily and with minimal disruption to your home.

It is designed to glide effortlessly along an aluminium track, providing an attractive, elegant and discreet addition to your home. Built using the latest technology, the HomeGlide stairlift range can be fitted to nearly all straight staircases as narrow as 740mm.

1 It's all about you

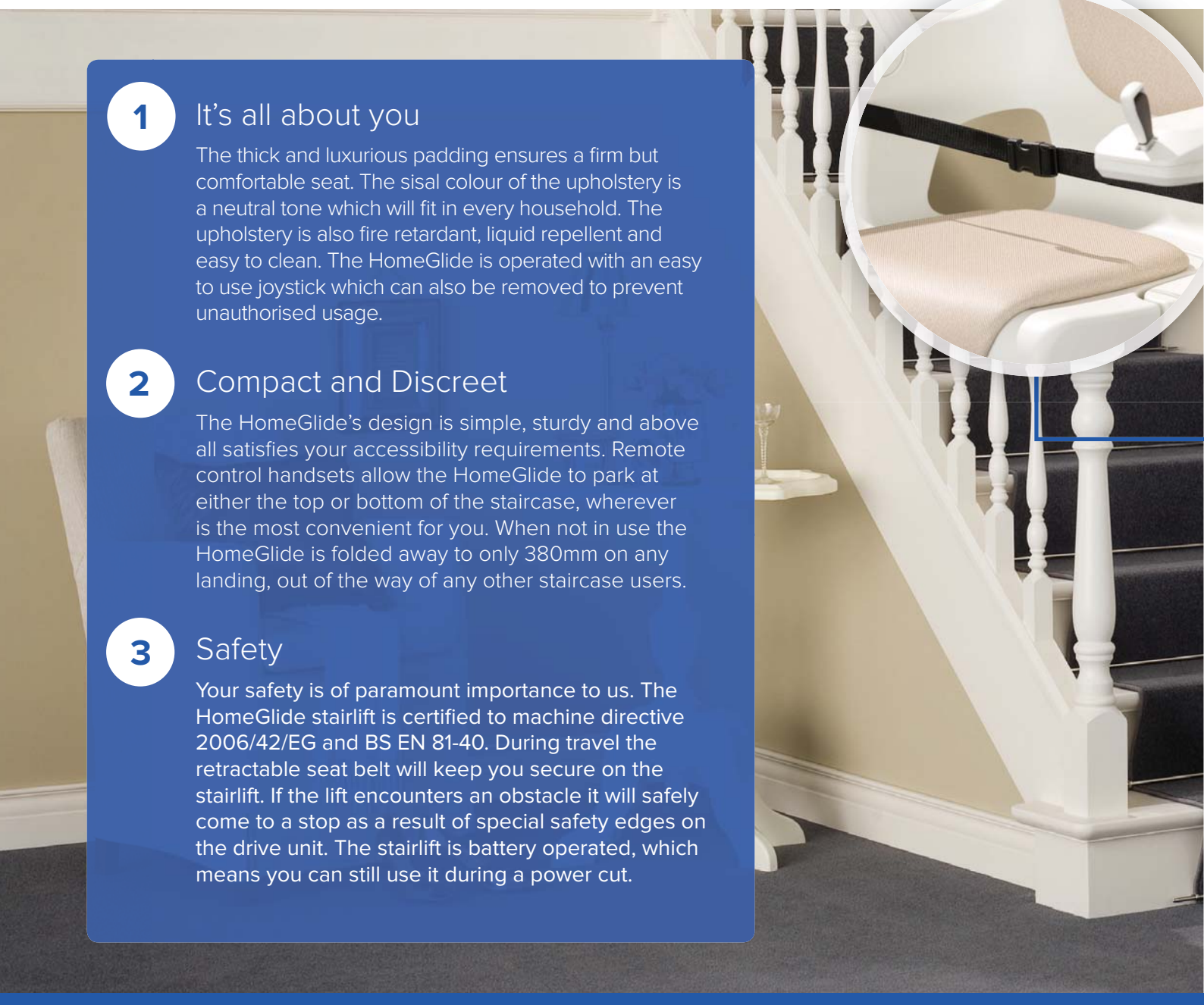
The thick and luxurious padding ensures a firm but comfortable seat. The sisal colour of the upholstery is a neutral tone which will fit in every household. The upholstery is also fire retardant, liquid repellent and easy to clean. The HomeGlide is operated with an easy to use joystick which can also be removed to prevent unauthorised usage.

2 Compact and Discreet

The HomeGlide's design is simple, sturdy and above all satisfies your accessibility requirements. Remote control handsets allow the HomeGlide to park at either the top or bottom of the staircase, wherever is the most convenient for you. When not in use the HomeGlide is folded away to only 380mm on any landing, out of the way of any other staircase users.

3 Safety

Your safety is of paramount importance to us. The HomeGlide stairlift is certified to machine directive 2006/42/EG and BS EN 81-40. During travel the retractable seat belt will keep you secure on the stairlift. If the lift encounters an obstacle it will safely come to a stop as a result of special safety edges on the drive unit. The stairlift is battery operated, which means you can still use it during a power cut.





The HomeGlide's aluminium rail has a slim design giving a modern and clean look.



I just love my HomeGlide stairlift! I had real difficulties climbing the stairs, but now I just sit in comfort on the stairlift, no more problems.



HomeGlide Extra Stairlift

AN ARRAY OF OPTIONS AND ENHANCEMENTS

Choosing to have the HomeGlide Extra means you receive all of the features and benefits of the HomeGlide but with further options and upholstery selections to ensure the perfect fit in your home. The HomeGlide Extra proves to be the ultimate marriage of elegant design and hi-tech functionality for any straight staircase.

Linked footrest

As standard, the HomeGlide Extra comes with a linked footrest. This feature makes it almost effortless when unfolding the chair as the footrest is linked to the seat.

Ergonomically-shaped seat

Designed alongside ergonomic experts the HomeGlide Extra uses a seat which positively influences your posture while offering maximum comfort.



A world of choice

As well as the quality enhancements that come as standard with the HomeGlide Extra, there are a number of options available which include a wide array of upholstery colours. Choose from fabric and vinyl seat covers to match the style of your home and décor.

A greater sense of security

Your stairlift should make you feel safe. The HomeGlide Extra comes with a retractable seat belt and can be fitted with curved armrests to help keep you secure on the lift. It is also possible to fit the straight armrests if you would prefer this.



As standard, the HomeGlide Extra comes with a linked footrest.



Standard Options

IT'S ALL ABOUT YOU

When you choose a HomeGlide stairlift you ensure an ideal solution for your staircase. With a smooth aluminium track, this stairlift can be fitted to almost any straight staircase.

Automatic Powered Hinge



If you have an obstruction at the foot of the staircase you can choose to have an automatic powered hinge installed. Once you have used the stairlift it will return to the top of the stairs and the lower section of the rail will fold away, leaving the bottom of your staircase clear.

Maximum Weight Upgrade



As standard the HomeGlide will support weights of up to 138kg although, if required, this can be upgraded up to 146kg.

Move between all levels of your home with maximum comfort and safety.





HomeGlide Extra Options

EVEN MORE CHOICE

With an added choice of upholstery and functionality options, HomeGlide Extra is an elegant and attractive addition to your home.

Upholstery

Vinyl:



Red



Grey



Maroon



Sisal

Fabric:



Dark Brown



Beige



Red



Choose from fabric and vinyl seat covers to match the style of your home.



Powered Swivel Seat and Adjustable Seat Height



The HomeGlide Extra comes with a manual swivel seat as standard. Upgrading to the powered swivel seat allows you to turn the chair easily at the top or bottom landing by maintaining pressure on the joystick. This allows a safe exit from the chair as the lift automatically rotates away from the open staircase.

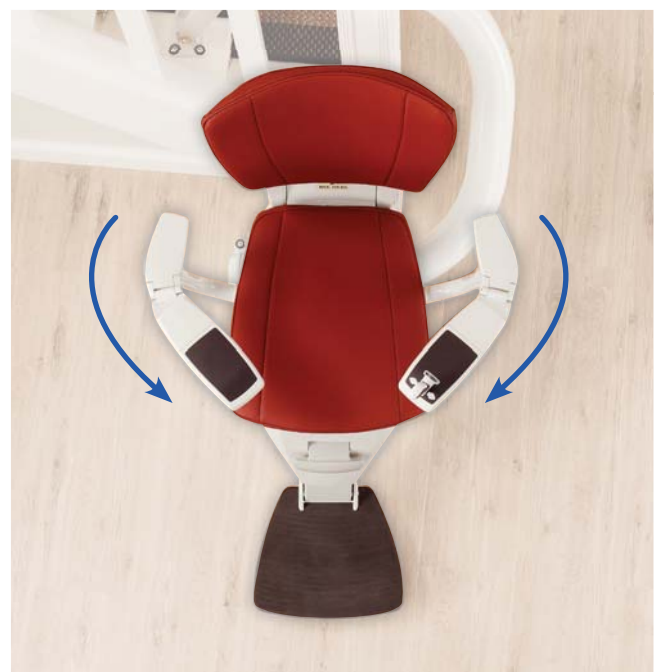
There are four different seat heights to choose from providing you with the most comfortable seating position possible. The footrest lies just 97mm from the floor, making getting on and off the seat as easy as possible.

Armrest

Straight

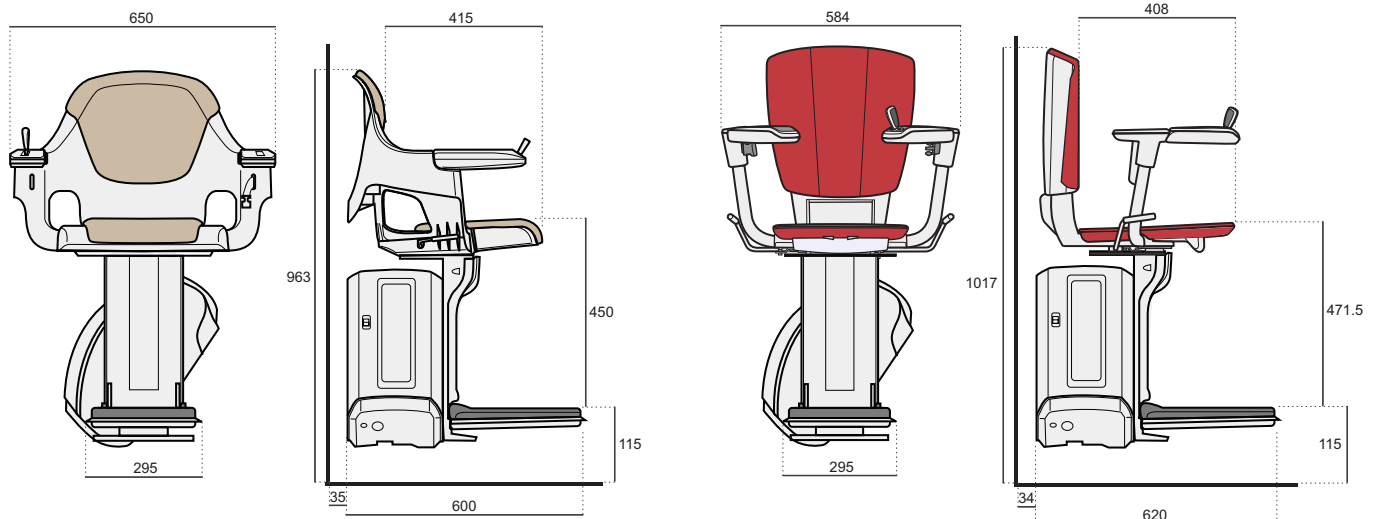


Curved



Technical Specification

CERTIFIED TO THE HIGHEST STANDARDS



Specification

Speed:	Max 0.12m/s
Drive Type:	Rack and pinion
Motor Wattage:	280W
Weight Capacity:	127kg – 138kg
Batteries:	2 x 12V batteries; total 24V
Operation:	Joystick control as standard
Staircase Incline:	28° up to 53°
Certification:	Machine Directive 2006/42/EG BS EN 81-40
Automatic Stop:	Yes
Footrest:	Yes
Retractable Safety Belt:	Yes

About Access BDD

30 YEARS OF EXPERIENCE

For over 30 years, Access BDD have specialised in making life easier for both private and public customers.

Manufacturer of stairlifts, inclined platform lifts, vertical platform lifts and home elevators, Access BDD believe that the ability to move around freely shouldn't be something that is taken for granted. Through our wealth of knowledge and experience we have become one of the world's leading suppliers of accessibility products.

Through our wide array of customisable options on all of our products you can rest assured your new lift will seamlessly fit into your home or building.

Our extensive engineering heritage means we precisely develop our products to be industry-leading whilst conforming to all relevant safety guidelines. We design our products to be installed quickly and with minimal of fuss.



The HomeGlide is the perfect solution for any straight staircase. I was able to install the stairlift within just a few hours – the customer was over the moon.”

When you choose an Access BDD product, you're choosing:

- Industry leading company with a wealth of experience
- Safety and reliability
- Technological innovation



For over 30 years we have specialised in making life easier for both private and public customers.



Your local dealer is:



Access BDD
Unit E3 Eagle Court
De Havilland Avenue
Preston Farm Business Park
Stockton-on-Tees
TS18 3TB
United Kingdom

Telephone
+44 1642 853 650

Email
info@accessbdd.com

www.accessbdd.com

Supra and Supra Linea Platform Lifts **FOR STRAIGHT AND CURVED STAIRCASES**



Access BDD are one of Europe's leading suppliers of stairlifts, platform lifts and home lift solutions.

Supra and Supra Linea Platform Lifts FOR STRAIGHT AND CURVED STAIRCASES

Our Inclined Platform Lifts are manufactured to meet the needs of customers who demand the best comfort and quality. Advanced in design and ergonomics, the Supra and Supra Linea are manufactured using only quality components. The perfect solution to overcoming architectural obstacles and making your building accessible to all.

Supra is designed for use on almost any type of staircase: curved, straight with a change of gradient, those with multiple landings and spiral configurations.

Supra Linea is designed for use on a straight staircase with a constant gradient.

The Supra and Supra Linea belong to the same family, they share the same platform, the same machine body, the same call stations and many of the same components.

All of the exposed surfaces are made of anodized aluminium to guarantee a rust-free product. With the addition of the IP55 certification, both products are suitable for outdoor use. Their high precision construction and aesthetic appearance promises that our inclined platform lifts will suit almost any environment.



Certified to European
Machine Directive
2006/42/EC.



“My business now has a great solution for enabling wheelchair users to visit the outdoor terrace. Its modern design seamlessly matches the style of my restaurant.”

1 Ergonomically Designed

The Supra and Supra Linea have an advanced ergonomic design which has been developed in consultation with renowned consumer associations. This has enabled this to become one of the easiest, most comfortable and safest inclined platform lifts on the market. Controlled by either the easy-to-use joystick or optional push buttons allow the lift to move up and down the stairs safely and with minimal effort.

2 Compact and Discreet

Due to their slim profile the Supra and Supra Linea take up little space on the staircase when not in use. The choice of parking options and platform sizes making them ideal for busy buildings where space is at a premium.

3 Safety

Our customers' safety is of paramount importance to us. Both the Supra and Supra Linea are certified to European Machine Directive 2006/42/EC. They are fitted with anti-impact and anti-shearing safety devices which bring the lift to an immediate stop if they encounter an obstruction on the staircase. An overload device can be added to conform to EN81-40.



Features

FOR ALL YOUR ACCESSIBILITY REQUIREMENTS



Automatic Safety Bars

The Supra and Supra Linea have automatic safety bars that surround the user during travel. As the lift arrives at either the top or bottom landing the leading safety bar is raised allowing the user to get or get off the lift. This is lowered again before travel, giving a sense of security to the user.



Automatic Folding/Unfolding Platform

All of our inclined platform lifts have automatic folding platforms which means that the user simply has to press a button on the control station to open or close the platform avoiding any manual operation.

When the lift is not in use it can be conveniently folded away, taking only 310mm of space offering the ideal solution for any additional staircase users.



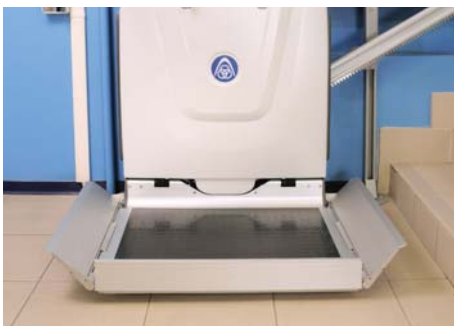
On-board Controls with Ergonomic Keys

The on-board controls make it simple to operate the Supra and Supra Linea inclined platform lifts. The ergonomic keys are shaped so that they can be operated with minimal effort while their design remains aesthetically pleasing.



On-board Controls with Ergonomic Keys

The on-board controls make it simple to operate the Supra and Supra Linea inclined platform lifts. The ergonomic keys are shaped so that they can be operated with minimal effort while their design remains aesthetically pleasing.



Automatic Safety Bars

The Supra and Supra Linea have automatic safety bars that surround the user during travel. As the lift arrives at either the top or bottom landing the leading safety bar is raised allowing the user to get or get off the lift. This is lowered again before travel, giving a sense of security to the user.



Automatic Safety Bars

The Supra and Supra Linea have automatic safety bars that surround the user during travel. As the lift arrives at either the top or bottom landing the leading safety bar is raised allowing the user to get or get off the lift. This is lowered again before travel, giving a sense of security to the user.

Options TAILORED TO YOUR NEEDS

Outdoor version (IP 55) and cover cloth

High speed (0,13 m/s) version

Auxiliary power system (available for Supra Linea with the high speed version only)

Battery backup (Supra only)

Radio remote control

90° access ramp

Folding seat

Call stations with joystick or buttons

Range of platform sizes



With the addition of the IP55 certification, both products are suitable for outdoor use.



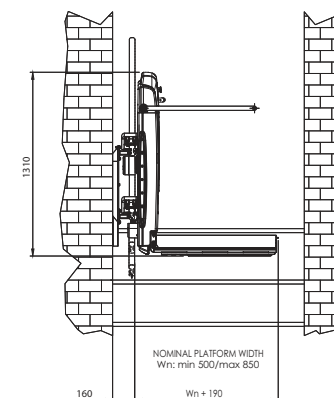


All of the exposed surfaces are made of anodized aluminium to guarantee a rust-free product.



Technical Specification

CERTIFIED TO THE HIGHEST STANDARDS

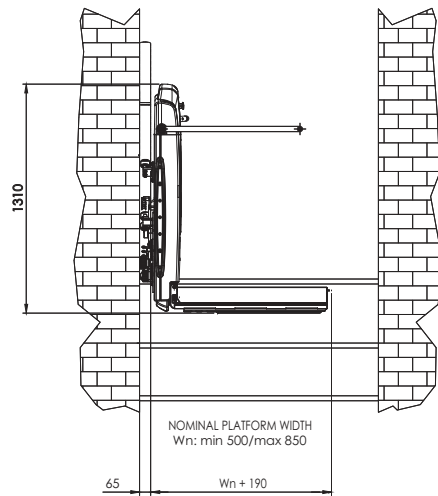


Supra

Application:	Curved or straight staircases with variable gradient from 0° to 45°
Motor:	0,35 kW (0,70 kW for the increased speed version)
Power supply:	230 VAC, 50 Hz
Drive system:	Rack and pinion
Rated load:	300 kg (0° to 30°), 250 kg (31° to 35°), 190 kg (36° to 45°)
Speed¹:	0,07 m/s (0,13 m/s in the straight sections with increased speed version)
Standard platforms²:	850 x 500, 850 x 550, 850 x 600, 850 x 650, 850 x 710, 1050 x 710, 1050 x 850, 1250 x 850
Rail:	Twin aluminium rail, RAL painted (9006) max. length 40 m
Safety devices:	Anti-impact/anti-shearing devices on the machine body. Anti-impact devices on the platform devices on the platform
Norm compliance:	2006/42/EC. EN 81-40 (when Load Control Device is selected)

¹ Increased speed version includes soft start and soft stop on the approach to/from the landings

² Measurements in mm, Length x Width. Special platforms available as option



Supra Linea

Application:	Straight staircases with constant gradient
Motor:	0,40 kW (0,75 kW for the increased speed version)
Power supply:	230 VAC, 50 Hz
Drive system:	Rack and pinion
Rated load:	325 kg (0° to 35°), 250 kg (36° to 45°)
Speed¹:	0,07 m/s (0,13 m/s for the increased speed version)
Standard platforms²:	850 x 500, 850 x 550, 850 x 600, 850 x 650, 850 x 710, 1050 x 710, 1050 x 850, 1250 x 850
Rail:	Single rail made of aluminium, max. length 40 m
Safety devices:	Anti-impact/anti-shearing devices on the machine body. Anti-impact devices on the platform
Norm compliance:	2006/42/EC. EN 81-40 (when Load Control Device is selected)

¹ Speed is subject to variations according to load and mains voltage $\pm 15\%$. Soft start and soft stop functionality included on increased speed version

² Measurements in mm, Length x Width. Special platforms available as option

About Access BDD

30 YEARS OF EXPERIENCE

For over 30 years, Access BDD have specialised in making life easier for both private and public customers.

Manufacturer of stairlifts, inclined platform lifts, vertical platform lifts and home elevators, Access BDD believe that the ability to move around freely shouldn't be something that is taken for granted. Through our wealth of knowledge and experience we have become one of the world's leading suppliers of accessibility products.

Through our wide array of customisable options on all of our products you can rest assured your new lift will seamlessly fit into your home or building.

Our extensive engineering heritage means we precisely develop our products to be industry-leading whilst conforming to all relevant safety guidelines. We design our products to be installed quickly and with minimal of fuss.



Access BDD have been my platform lift supplier for the last 10 years, their products are second to none.”

When you choose an Access BDD product, you're choosing:

- Industry leading company with a wealth of experience
- Safety and reliability
- Technological innovation



For over 30 years we have specialised in making life easier for both private and public customers.



Your local dealer is:



Access BDD
Unit E3 Eagle Court
De Havilland Avenue
Preston Farm Business Park
Stockton-on-Tees
TS18 3TB
United Kingdom

Telephone
+44 1642 853 650

Email
info@accessbdd.com

www.accessbdd.com